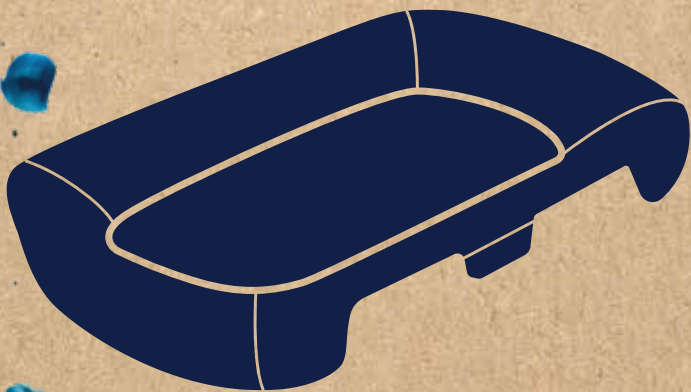


sena™ series changer



nuna®

Designed
around your life

nuna®

**IMPORTANT!
RETAIN FOR FUTURE
REFERENCE.
CAREFULLY READ ALL
INSTRUCTIONS BEFORE
USE OF THE CHANGER.**

Contents

Product Information	3
Product Registration	3
Warranty	3
Contact	3
Child Usage Requirements	4
Warnings	5
Product Use	7
Soft Goods Removal	9
Cleaning and Maintenance	11

Product Information

Model Number: _____

Manufactured in (date): _____

Product Registration

Please fill in the above information. The model number and the manufactured in date are located on the back of the metal frame under the soft goods.

To register your product please visit:

www.nunababy.com

Click on the “Register Gear” link on the homepage.

Warranty

We have purposely designed our high-quality products so that they can grow with both your child and your family. Because we stand by our product, our gear is covered by a custom warranty per product, starting from the day it was purchased. Please have the proof of purchase, model number and manufactured in date available when you contact us.

For warranty information please visit:

www.nunababy.com/warranty

Contact

For replacement parts, service, or additional warranty questions, please contact our customer service department.

In the USA: infousa@nunababy.com

www.nunababy.com

1.855.NUNA.USA

Child Usage Requirements

This changer is suitable for use with children who meet the following requirements:

Weight: up to 11 kg (24 lb) (approximately 0–12 months) or is able to climb out or can sit unaided.

WARNING

Failure to follow these warnings and instructions could result in serious injury or death.

DO NOT use the changer if it is damaged or broken.

Discontinue using the changer when child reaches 11 kg (24 lb) (approximately 0–12 months) or is able to climb out or can sit unaided.

FALL HAZARD: Children have suffered serious injuries after falling from changing tables. Falls can happen quickly.

- **STAY** within arms reach.
- **ALWAYS** secure the changer to the SENA series travel cot/play yard by sliding the changer onto the top rail. See instructions.
- **DO NOT** use on a bed, counter or other elevated surfaces.
- **DO NOT** carry child in changer.

SUFFOCATION HAZARD Babies have suffocated while sleeping on changing tables: changing table is not designed for safe sleep.

- **NEVER** allow baby to sleep on changing table.

STRANGULATION HAZARD Never leave the changer in place when child is in the travel cot/play yard.

This product is for use on the Nuna SENA travel cot/play yard or Nuna SENA aire travel cot/play yard.

DO NOT leave the child unattended.

All assembly fittings shall always be correctly tightened and check regularly.

Be aware of the risk of open fires and other sources of strong heat, such as electric bar fires, gas fires in the near vicinity of the changing unit.

DO NOT use accessories or replacement parts other than those approved by the manufacturer.

DO NOT use the product if any parts are damaged, broken, torn or missing.

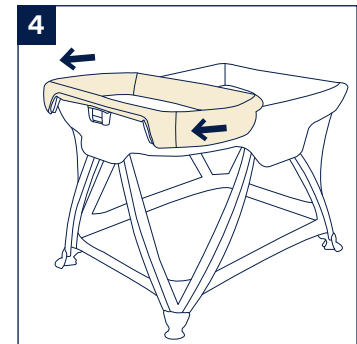
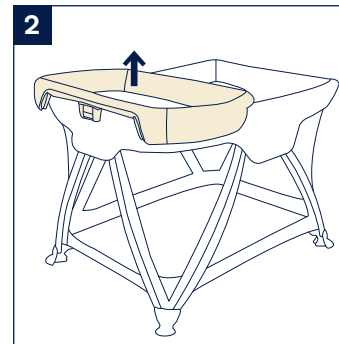
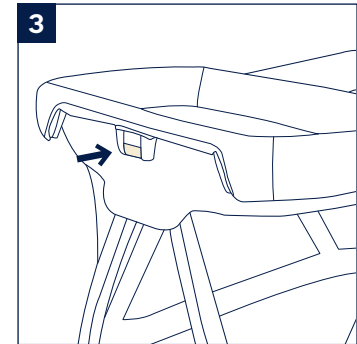
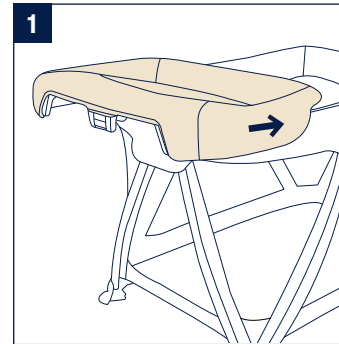
Product Use

The changer can be used independently or with the Nuna SENA or Nuna SENA aire.

⚠ DO NOT use the changer with the Nuna SENA mini or Nuna SENA aire mini.

The changer can be attached to either end of the travel cot/play yard.

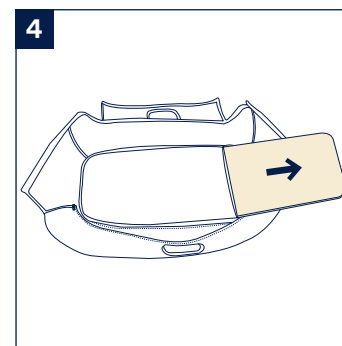
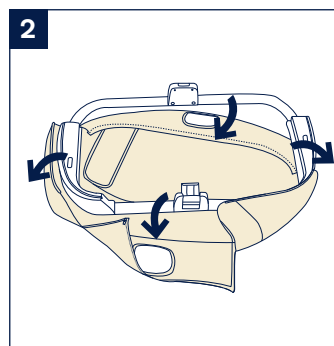
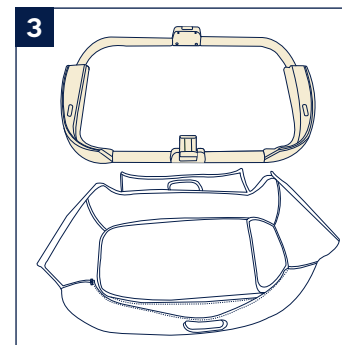
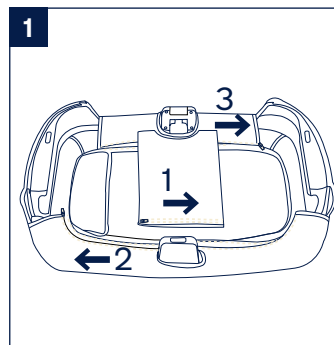
- 1 - To attach the changer, slide the changer on the end of the travel cot/play yard. The changer release button should be on the outside.
- 2 - Pull on the changer to make sure it is securely attached.
- 3 - To release the changer, press in the release button.
- 4 - While pressing the release button, slide the changer off the travel cot/play yard.



Soft Goods Removal

- 1 - Unzip the three zippers on the underside of the changer.
- 2 - Open the soft goods.
- 3 - Remove the frame from the soft goods.
- 4 - Remove the support board.

To reassemble the soft goods, reverse the steps above.



Cleaning and Maintenance

Refer to the care label attached to the soft goods for washing and drying instructions.

Clean the frame with a damp cloth and a mild detergent and dry thoroughly. Do not use abrasives.

It is normal for fabric to color from sunlight and to show wear and tear after a long period of use, even when used normally.

For reasons of safety, only use original Nuna parts.

Check regularly if everything functions properly. If any parts are torn, broken, or missing, stop using this product.



Nuna Baby Essentials, Inc.

70 Thousand Oaks Blvd. | Morgantown, PA 19543

1.855.NUNA.USA | nunababy.com